

EV6150/6151/ 6153/6156

FIXED CAMERA

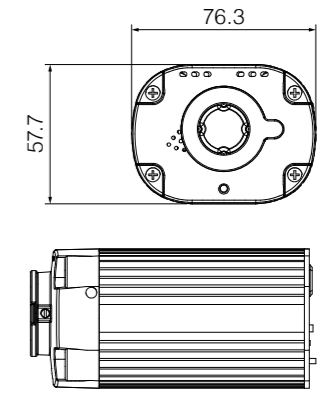


FEATURES

- ▶ H.264, MPEG-4, M-JPEG Simultaneous Dual Streams
- ▶ Two-way Audio Support
- ▶ External IR Illuminator Supported
- ▶ WiFi 802.11g/b Wireless Networking
- ▶ Power Over Ethernet

MODEL	RESOLUTION	LENS	DAY/NIGHT	PoE
EV6150A-BI/CI	D1	C/CS Mount	YES	YES
EV6151A	VGA	C/CS Mount	Day Only	YES
EV6153A	VGA	C/CS Mount	YES	YES
EV6156A	D1	C/CS Mount	YES	YES

DIMENSIONS(unit:mm)



SPECIFICATIONS

Model	EV6150A-BI	EV6150A-CI	EV6151A	EV6153A	EV6156A WDR
Image Sensor	1/3" Sharp CCD	1/3" Sony CCD	1/4" Progress Scan CMOS	Sony 1/4" Progressive Scan CCD	1/3" Sony WDR CCD
Lens	CS Mount Type(Lens Optional)		CS Mount Type(Lens Optional)		
Minimum Illumination	0.1 Lux at F2.0 5~10 Lux B/W Mode Auto Switch	0.012 Lux at F1.2 0.0014 Lux at F1.2 B/W Mode Auto Switch	2.0 Lux	0.5 Lux	0.012 Lux at F1.2 0.0014 Lux at F1.2 B/W Mode
Shutter Time(Sec.)	NTSC: 1/60~1/120000 PAL: 1/50~1/120000		1/50~1/12000		NTSC: 1/60~1/120000 PAL: 1/50~1/120000 Fix: 1/100, 1/120, 1/180, 1/350, 1/500, 1/750, 1/1000, 1/2000, 1/4000, 1/10000
Num. of Effective Pixels	NTSC: 768 x 492 HxV PAL: 752 x 582 HxV	NTSC: 811 x 508 HxV PAL: 795 x 596 HxV	640 x 480 HxV	659 x 494 HxV	NTSC: 771 x 492 HxV PAL: 753 x 582 HxV
Auto Iris	DC Drive		N/A		DC Drive
Sync System	Internal Lock/Line Lock		N/A		Internal Lock/Line Lock
Resolution	520 TVL	600 TVL	640 x 480 VGA		540 TVL
S/N Ratio	50 dB		38 dB	48 dB	50 dB(MIN)/58 dB(TYP) (Gamma, Aperture, AGC, OFF)
Video Compression	H.264, M-JPEG, MPEG-4 Format Selectable		H.264, M-JPEG, MPEG-4 Format Selectable		
Image Size	D1(NTSC: 720 x 480, PAL: 720 x 576) CIF(NTSC: 352 x 240, PAL: 352 x 288) QCIF(NTSC: 176 x 120, PAL: 176 x 144)		VGA(640 x 480) QVGA(320 x 240) QQVGA(160 x 120)		D1(NTSC: 720 x 480, PAL: 720 x 576) CIF(NTSC: 352 x 240, PAL: 352 x 288) QCIF(NTSC: 176 x 120, PAL: 176 x 144)
Frame Rate	30fps(NTSC)/25fps(PAL) @ D1 Resolution		30fps @ VGA Resolution		30fps(NTSC)/25fps(PAL) @ D1 Resolution
Video Streaming	Simultaneous Dual Streams with Controllable Frame Rate and Bandwidth		Simultaneous Dual Streams with Controllable Frame Rate and Bandwidth		
Day/Night	Yes	Built-in ICR, Night Mode: Auto/Manual	Day Only	Yes	Built-in ICR, Night Mode: Auto/Manual
Image Settings	Compression, Brightness, Contrast, Saturation, Mirror, AEC, AWB, AGC, B/W Mode		Compression, Brightness, Contrast, Saturation, Mirror, Flip, AEC, AWB, AGC, Lighting Freq.	Compression, Brightness, Contrast, Saturation, Mirror, AEC, AWB, AGC	OSD I/F Support: WDR, AWB, AEC, AGC, AES, BLC
Bitrate	M-JPEG: 5 Video Quality Level Selectable, MPEG-4/H.264: 64 K~4 Mbps		M-JPEG: 5 Video Quality Level Selectable, MPEG-4/H.264: 64 K~4 Mbps		
Video Output	Composite BNC Connector, 1.0 Vp-p(with 75 Ohms Load)		Composite BNC Connector, 1.0 Vp-p(with 75 Ohms Load)		
Audio	Audio In/Out: ADPCM		Audio In/Out: ADPCM, Built-in Microphone	Audio In/Out: ADPCM	
Security	Password Protection, IP Address Filtering, User Access Privilege		Password Protection, IP Address Filtering, User Access Privilege		
Network Protocols	TCP/IP, UDP, DHCP, PPPoE, HTTP, DNS, DynDNS, NTP, FTP, SMTP, UDP, RTP, RTSP, 3GPP, UPnP, IPv4, SAMBA Client(NAS)		TCP/IP, UDP, DHCP, PPPoE, HTTP, DNS, DynDNS, NTP, FTP, SMTP, UDP, RTP, RTSP, 3GPP, UPnP, IPv4, SAMBA Client(NAS)		
API	EtroSDK™ 3.0		EtroSDK™ 3.0		
Intelligent Video	Video Motion Detection		Video Motion Detection		
Alarm Trigger	Periodical Timer, Intelligent Video and External Input		Periodical Timer, Intelligent Video and External Input		
Alarm Events	Intelligent Video, File Upload via FTP and E-mail, Notification via E-mail, File Recording to NAS		Intelligent Video, File Upload via FTP and E-mail, Notification via E-mail, File Recording to NAS		
Video Buffer	Pre Alarm Buffer and Post Alarm Buffer up to 10 Sec.		Pre Alarm Buffer and Post Alarm Buffer up to 10 Sec.		
Configuration	EtroScan™ Utility, Web UI		EtroScan™ Utility, Web UI		
Web Browser	Microsoft IE 8.0 or above		Microsoft IE 8.0 or above		
Casing	Metal(Aluminum)		Metal(Aluminum)		
Dimension	76(W) x 58(H) x 109(D) mm		76(W) x 58(H) x 109(D) mm		
Processor & Memory	ARM 9 Base SoC, 128 MB RAM, 16 MB Flash		ARM 9 Base SoC, 128 MB RAM, 16 MB Flash		
Power	Power over Ethernet IEEE 802.3af, Max. 5.7 W, 12 Vdc		Power over Ethernet IEEE 802.3af, Max. 5.7 W, 12 Vdc		
I/O Connectors	RJ-45 for 10 BASE-T/100 BASE-TX, DC Jack, Reset, BNC, Iris Control Adaptor, Mini Din(DI/DO/RS-485), USB A-Type Female, SD/SDHC Card Slot, Audio In, Audio Out		RJ-45 for 10 BASE-T/100 BASE-TX, DC Jack, Reset, BNC, Mini Din(DI/DO/RS-485), USB A-Type Female, SD/SDHC Card Slot, Audio In, Audio Out	RJ-45 for 10 BASE-T/100 BASE-TX, DC Jack, Reset, BNC, Iris Control Adaptor, Mini Din(DI/DO/RS-485), USB A-Type Female, SD/SDHC Card Slot, Audio In, Audio Out	
Operating Conditions	-10°C~-50°C(14°F~-122°F) Humidity: 20%~80% RH		-10°C~-50°C(14°F~-122°F) Humidity: 20%~80% RH		
Wireless	External 802.11b/g WiFi Dongle Supported		External 802.11b/g WiFi Dongle Supported		
Approvals	CE, LVD, FCC, RoHS		CE, LVD, FCC, RoHS		
Weight	412 g	440 g	412 g	424 g	432 g
Included Accessories	QIG, Power Adapter, CD-ROM(User Manual, Free Bundle NVR), Mini Din Cable		QIG, Power Adapter, CD-ROM(User Manual, Free Bundle NVR), Mini Din Cable		