

EV6552

FIXED DOME

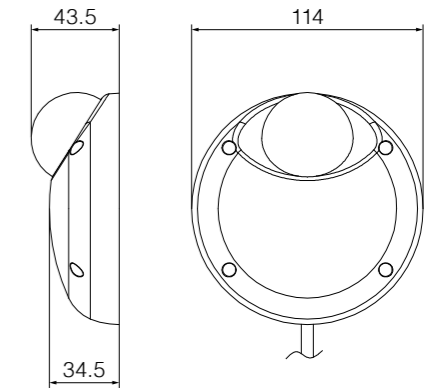


FEATURES

- ▶ Flat and Discreet Design
- ▶ Ultra Low-light
- ▶ EN50155 Certificated
- ▶ H.264, MPEG-4, M-JPEG Simultaneous Dual Streams
- ▶ Two-way Audio Support, Built-in Microphone
- ▶ Power Over Ethernet

MODEL	RESOLUTION	LENS	DAY/NIGHT	PoE
EV6552A	VGA	3.6 mm, F1.8	Day Only	N/A
EV6552AP	VGA	3.6 mm, F1.8	Day Only	YES
EV6552R	VGA	3.6 mm, F1.9	Day Only	N/A
EV6552RP	VGA	3.6 mm, F1.9	Day Only	YES

DIMENSIONS(unit:mm)



SPECIFICATIONS

Model	EV6552A	EV6552AP	EV6552R 0.1Lux	EV6552RP 0.1Lux
Image Sensor	1/4" Progress Scan CMOS		1/4" Ultra Low-light CMOS	
Lens	3.6 mm, F 1.8		3.6 mm, F 1.9	
Minimum Illumination	2.0 Lux		Color Mode @ 0.1 Lux	
Shutter Time(Sec.)	1/50~1/12000		1/60~1/32000 Selectable	
Num. of Effective Pixels	640 x 480 HxV		640 x 480 HxV	
Auto Iris	N/A		N/A	
S/N Ratio	38 dB		45 dB	
Video Compression	H.264 M-JPEG MPEG-4 Format Selectable		H.264 M-JPEG MPEG-4 Format Selectable	
Frame Rate	30fps @ VGA / QVGA / QQVGA		30fps @ VGA / QVGA / QQVGA	
Video Streaming	Simultaneous Dual Streams with Controllable Frame Rate and Bandwidth		Simultaneous Dual Streams with Controllable Frame Rate and Bandwidth	
Day/Night	Day Only		Day Only	
Image Setting	Compression, Brightness, Contrast, Saturation, Mirroring		Compression, Brightness, Contrast, Saturation, Mirroring, Flip, AEC, AWB, AGC, AES, Fixed Gain, Lighting Freq.	
Bitrate	M-JPEG: 5 Video Quality Level Selectable MPEG-4/H.264: 64 K~4 Mbps		M-JPEG: 5 Video Quality Level Selectable MPEG-4/H.264: 64 K~4 Mbps	
Video Output	N/A		N/A	
Audio Compression	Audio In/Out: ADPCM		Audio In/Out: ADPCM	
Audio Input	Built-in Microphone		Built-in Microphone	
Audio Output	Line Out x 1		Line Out x 1	
Security	Password Protection IP Address Filtering User Access Privilege		Password Protection IP Address Filtering User Access Privilege	
Network Protocols	TCP/IP, UDP, DHCP, PPPoE, HTTP, DNS, DynDNS, NTP, FTP, SMTP, UDP, RTP, RTSP, 3GPP, UPnP, IPv4, SAMBA Client(NAS)		TCP/IP, UDP, DHCP, PPPoE, HTTP, DNS, DynDNS, NTP, FTP, SMTP, UDP, RTP, RTSP, 3GPP, UPnP, IPv4, SAMBA Client(NAS)	
API	EtroSDK™ 3.0		EtroSDK™ 3.0	
Intelligent Video	Video Motion Detection		Video Motion Detection	
Alarm Trigger	Periodical Timer Intelligent Video External Digital Input		Periodical Timer Intelligent Video External Digital Input	
Alarm Event	Intelligent Video, File Upload via FTP and E-mail, Notification via E-mail, External Output Activation, File Recording to Remote FTP or Remote NAS		Intelligent Video, File Upload via FTP and E-mail, Notification via E-mail, External Output Activation, File Recording to Remote FTP or Remote NAS	
Video Buffer	Pre Alarm Buffer and Post Alarm Buffer up to 10 Sec.		Pre Alarm Buffer and Post Alarm Buffer up to 10 Sec.	
Configuration	EtroScan™ Utility, Web UI		EtroScan™ Utility, Web UI	
Web Browser	Microsoft IE 8.0 or above		Microsoft IE 8.0 or above	
Local Storage	N/A		N/A	
Casing	Plastic(Lens Holder Pan: 0~90°, Tilt: +/-10/Rotation+/-10)		Vandal-proof(Lens Holder Pan: 0~90°, Tilt: +/-10/Rotation+/-10)	
Dimension	114(Ø) x 44(H) mm		114(Ø) x 44(H) mm	
Processor & Memory	ARM 9 Base SoC 128 MB RAM 16 MB Flash		ARM 9 Base SoC 128 MB RAM 16 MB Flash	
Power	Max. 3.5 W, 12 Vdc	Power over Ethernet IEEE 802.3af Max. 3.5 W, 12 Vdc	Max. 3.5 W, 12 Vdc	Power over Ethernet IEEE 802.3af Max. 3.5 W, 12 Vdc
I/O Connectors	RJ-45 for 10 BASE-T/100 BASE-TX, DC Jack, EtroLink™, BNC, Audio Out, DI/DO		RJ-45 for 10 BASE-T/100 BASE-TX, DC Jack, Reset, Audio Out, DI/DO	
Operation Conditions	-10°C~50°C(14°F~122°F) Humidity: 20%~80% RH		-10°C~50°C(14°F~122°F) Humidity: 20%~80% RH	
Failover	EtroLink™		Reset	
Approvals	CE, FCC, RoHS		CE, LVD, FCC, EN50155, RoHS	
Weight	232 g	244 g	235 g	247 g
Included Accessories	QIG, Power Adapter, USB Cable, CD-ROM(User Manual, Free Bundle NVR)		QIG, Power Adapter, CD-ROM(User Manual, Free Bundle NVR)	