

EHD300

520 TVL Outdoor Color Vandal Dome Camera



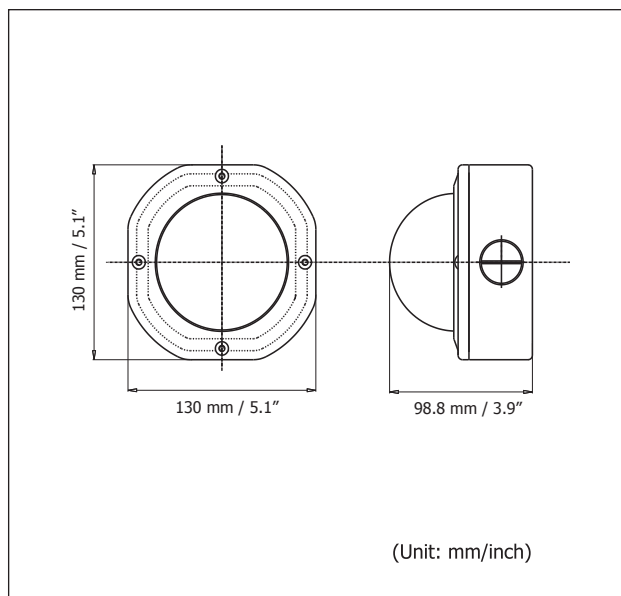
Features

- 1/3" Sony Super HAD CCD with light sensitivity of 0.4 Lux/F=1.2
- 520 TVL of horizontal resolution
- Revolutionary integrated 10-bit Digital Signal Processor (DSP) delivers excellent picture quality and sharp color images
- Vandal resistant with polycarbonate shell to withstand intentional destruction
- Designed with 3-axis for angle viewing flexibility
- Built-in micro switch for alarm trigger
- Weatherproof IP66 rated
- Aluminum base with smoke color shell
- Ideal for any outdoor surveillance

Specifications

Pickup Device	1/3" Sony Interline Transfer Super HAD CCD
Video Format	NTSC or PAL
Picture Format	768 x 494 (NTSC) / 752 x 582 (PAL)
Horizontal Resolution	520 TVL
Video Output	BNC 1.0 Vp-p, 75 ohm
Sensitivity	0.4 Lux/F=1.2
S/N Ratio	Over 48dB (AGC Off)
Electronic Shutter	1/50 (1/60) ~ 1/100,000 sec.
Sync. Mode	Line Lock/Internal Sync.
Flickerless	On/Off switch
Backlight Comp.	On/Off switch
Auto Gain Control	On/Off switch
Auto White Balance	Yes
Gamma Correction	0.45
Iris Level	Adjustable
Lens	Built-in vari-focal f=9~22mm / f=2.9~10mm
Dimensions (W x H x D)	130 x 98.8 x 130 mm / 5.1" x 3.9" x 5.1"
Operating Temp.	-10°C ~ 50°C / 14°F ~ 122°F
Humidity	20% ~ 80% humidity
Power Source	12VDC/24VAC
Power Consumption	24VAC: 4W max. / 12VDC: 2W max.
Weight	1.7 kg / 3.7 lbs
Weatherproof	IP66 rated
Vandal Resistant	Yes

Dimensions



Ordering Information

- **EHD300/N-2:** 520 TVL, 9~22mm lens, Auto Iris, Low lux, No Heater
- **EHD300/N-3:** 520 TVL, 2.9~10mm lens, Auto Iris, Low lux, No Heater