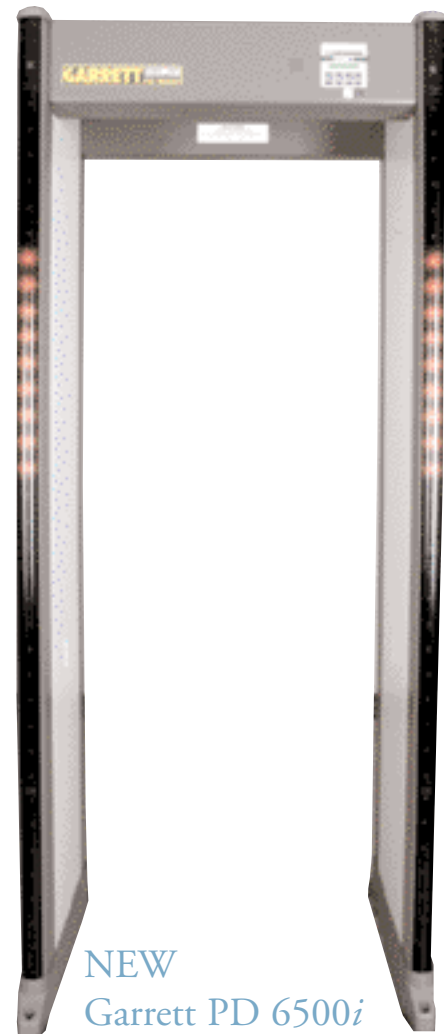
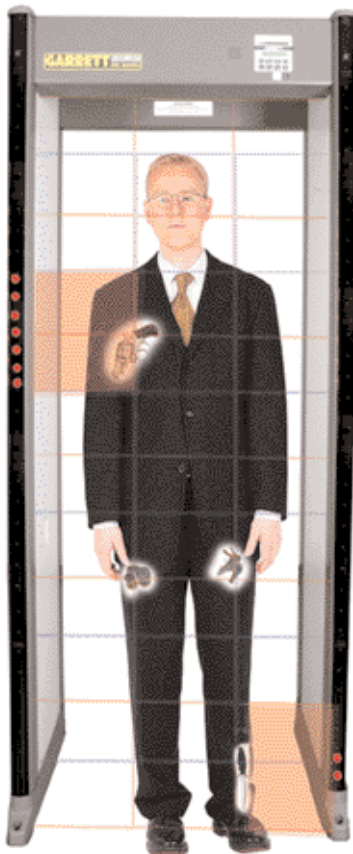


PD 6500i

The Most Advanced Detector Made For Today's Security Challenge

Today's international regulatory standards for security metal detection are the most demanding ever. Garrett has risen to this challenge with the new PD 6500i™, our exclusive DSP-based walk-through that provides superior target detection with unmatched discrimination of harmless items like coins, jewelry, keys, cigarette packs and shoe shanks. The PD 6500i with Garrett's unique 33-zone pinpoint detection™ provides the ultimate in safety, throughput and reliability with preset programs to cover the most complete range of security applications, including the new Transportation Security Administration's (TSA) Enhanced Metal Detector (EMD) System required for all U.S. airports.



NEW
Garrett PD 6500i

Garrett's Enhanced Pinpoint Detection Provides The Highest Performance Standard For Safety Today

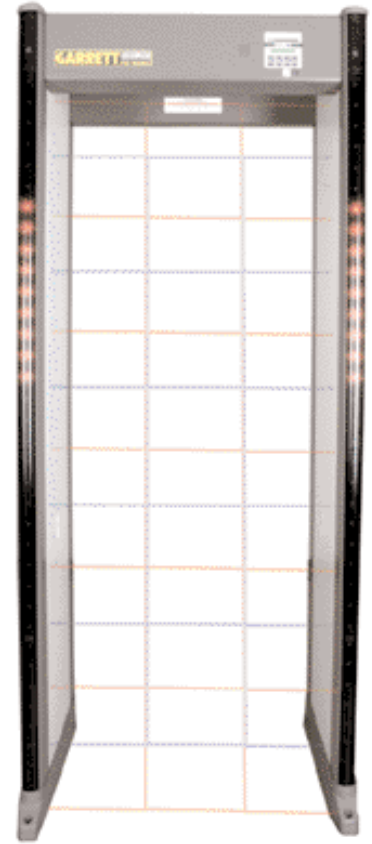
- Greatly improved multi-dimensional coil design provides superior detection of guns, knives and other flat and rod-shaped weapons regardless of archway location.
- Garrett's enhanced circuitry with advanced digital signal processor (DSP) technology locates smaller objects, hard-to-find floor level weapons and moving targets regardless of speed.
- Zone adjustment enables maximum detection regardless of environmental challenges.

Superior Operational Features Provide Maximum Throughput

- Garrett's exclusive multiple target pinpointing with 33 distinct detection zones for full target coverage on the left, center and right side of the body from head to toe. (Figure 1)
- Smooth, efficient traffic flow with easy-to-view eye-level pacing lights with international "wait" (🛑) and "proceed" (🚶) symbols on the entrance side of each panel. (Figure 2)
- Easy operation with a backlit LCD and LED bar graphs for continuous online operating status and self-diagnostic reporting. (Figure 3)
- Simple-to-use controls and settings use menu selections and touchpads. (Figure 3)

The Garrett PD 6500i is designed to meet the full range of security applications:

- Airports
- Schools
- Courthouses
- Correctional Facilities
- Public and Private Buildings
- Event Security
- Nuclear Facilities
- Transportation Terminals
- Loss Prevention
- Corporate Security



33 Pinpoint Zones Fig.1



Control Panel Fig.3



Eye Level Pacing Lights Fig.2

Garrett PD 6500i Enhanced Pinpoint Walk-Through Metal Detector Model No. 1168410

Technical Description

Specifications

Operating Temperatures: -4°F (-20°C) to +158°F (70°C)

Humidity: To 95% noncondensing

Power: Fully automatic 100 to 240 VAC, 50 or 60 Hertz, 5 watts; no rewiring, switching or adjustments required. Power supply meets UL, CSA, TUV and VDE standards.

Weatherproofing / Foreign Object Protection Standards: Meets IP 54, IEC Standard. "Degrees of Protection Provided by Enclosures," CEI 529.

Tamper-Proof: All settings are secured with a physical key lock and two levels of access codes. Further security is accomplished with a cabinet lock which prevents unauthorized access to cables, connectors and circuit boards.

Construction: Attractive scratch and mar-resistant laminate. Detection Heads and Support: Heavy duty aluminum.

Control Outputs: Solid state switches (low voltage AC or DC) for operating external alarms and control devices.

Traffic Counter: Counter tracks the number of patrons that have passed through the detector, the number of alarms, and calculates an alarm percentage.

Synchronization: Dual channels and DSP circuitry allow several PD 6500i's to operate simultaneously in close proximity to one another.

Interference Suppression: Special Garrett DSP built-in circuitry eliminates effects from x-ray monitors and other potential electrical interference sources.

Calibration: Fifteen (15) independent programs designed to meet all installation-specific requirements including the new TSA Enhanced Metal Detector (EMD) System requirements for all U.S. airports.

Alarms: Audible tone and volume adjustable. Bright red LED visual alarm.

Target Pinpointing Lights: Thirty-three (33) distinct pinpoint zones are displayed with two (2) independent columns of LED's located on exit side of PD 6500i.

Pacing Lights: International WAIT (🛑) and PROCEED (🚶) symbols located on entrance side of detector.

Garrett PD 6500i Optional Accessories



Battery Backup Module

Conveniently allows up to 8 hours of backup use.

Model No. 2225400



Operational Test Piece (OTP)

Designed to FAA 3-gun test requirements.

Model No. 1600600



Magna Dolly

Wheel assembly for easy portability.

Model No. 1168000



Desktop Remote Control

For easy remote operation of the PD 6500i from up to 50 feet (standard length; contact Garrett for optional lengths.)

Model No. 2225600



Control Monitor Analyzer (CMA)

The Garrett CMA is a computer module that collects and analyzes patron count, sensitivity settings and alarm percentages. Information from one or multiple units may be monitored in real-time or as historical data at the detector site or from a remote location. Connect the CMA to a personal computer (PC) using either a direct connection via 10 Base-T, through a network such as a Local Area Network (LAN), or through a wireless connection. Model No. 2233000

Garrett PD6500i



Product Performance and Conformity

The PD 6500i is Transportation Security Administration (TSA) qualified to meet the new detection requirements of its Enhanced Metal Detector (EMD) specification for walk-through metal detectors.

Furthermore, the PD 6500i has been tested and found to comply with the applicable performance requirements of NIJ Standards 0601.02 Walk-Through Metal Detector for use in Concealed Weapon and Contraband Detection and the Federal Aviation Administration (FAA) Three Gun Test.

Regulatory Information

The PD 6500i meets or exceeds all industry safety and electromagnetic compatibility (EMC) standards and conforms to international directives (CE and CSA approved; TEC and CB certified).

Safe for users of heart pacemakers, pregnant women and magnetic recording materials and magnetic strips.

- International Commission for Non Ionizing Radiation Protection (ICNIRP) "Reference levels for general public exposure".

Dimensions

Passage Interior:

Width: 30" (0.76m)*
Height: 80" (2m)
Depth: 23" (0.58m)

Overall Exterior:

Width: 35" (0.9m)
Height: 87" (2.2m)
Depth: 23" (0.58m)
Weight: 143 lbs (64 kg)

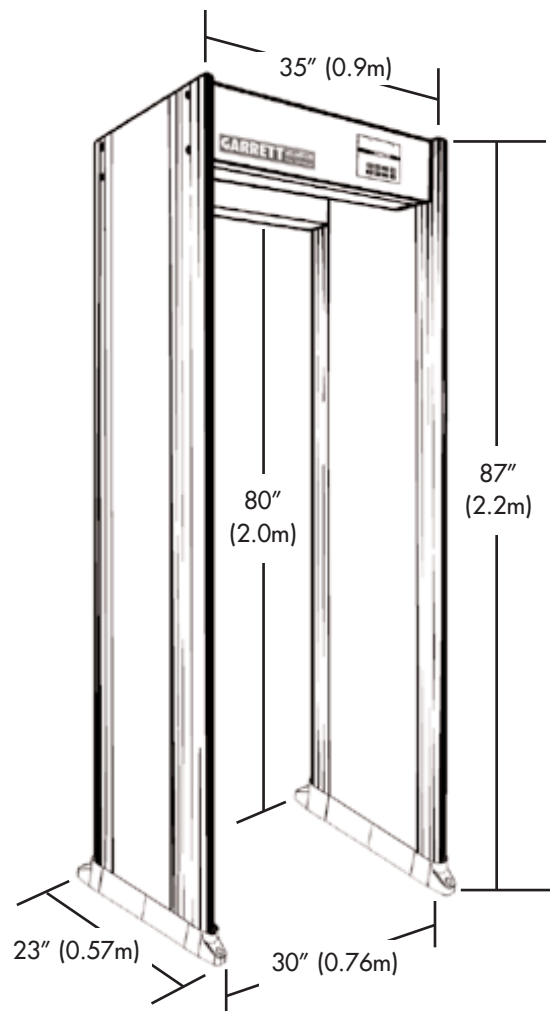
Shipping:

Width: 35.5" (0.9m)
Height: 92" (2.3m)
Depth: 6.5" (0.17m)
Shipping Weight: 165 lbs (74 kg)

* 32" interior width model available

Warranty

24 months, parts and labor.



Garrett Metal Detectors
Security Division
1881 West State Street
Garland, Texas 75042-6797 USA

(800) 234-6151 (Inside USA)
(972) 494-6151 (Outside USA)
(972) 494-1881 Fax

Email: security@garrett.com
www.garrett.com



Makers of the famed SuperScanner, SuperWand and many other quality products, Garrett is the world's largest manufacturer of metal detectors. An ISO 9001 certified company, Garrett is an Official Supplier of the 2004 U.S. Olympic Team.



1554400 Rev. A
©2003 Garrett Electronics, Inc.